

IF8-III SET-UP SHEET ver.1.0

NAME _____

DATE _____

TRACK _____

EVENT _____

PINION 18T 19T 20T 23T 24T 25T

TRANSMISSION 1ST 2ND

SPUR 60T 61T 62T 56T 57T 58T

SHAFT 6mm 8mm

FRONT SHOCKS **REAR**

SPRINGS

STD OPTION **OIL** STD OPTION

STD OPTION **O RING** STD OPTION

STD OPTION **MEMBRANE** STD OPTION

_____ HOLE(S) _____ mm **PISTONS** _____ HOLE(S) _____ mm

FRONT ANTI-ROLL BAR _____ mm **REAR** _____ mm

FRONT RIDE HEIGHT _____ mm **REAR** _____ mm

FRONT WIDTH _____ mm **REAR** _____ mm

BRAND TIRES _____ **CONTROLLED** YES NO

LEFT FRONT _____ mm **RIGHT FRONT** _____ mm **DIAMETER** _____ mm

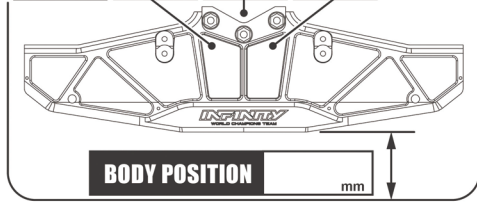
LEFT REAR _____ mm **RIGHT REAR** _____ mm

FRONT WHEEL PLATE YES NO **REAR** YES NO

BODY

BUMPER WEIGHT & BODY POSITION

WEIGHT _____ g _____ g _____ g



BODY POSITION _____ mm

FRONT CARBON PLATE (R0274) YES NO

REAR BODY MOUNT PLASTIC (R0373) CARBON (R0337)

POSITION 1 2

SIDE HEIGHT _____ mm

CARBON (R0337) LIGHT WEIGHT (R0349)

POSITION (R0337) 1 2 3 **SPACER** _____ mm

POSITION LOW HIGH

LIGHT WEIGHT (R0349) **POSITION** 1 2

SHOCK TOWER

R0081 R0336

R0081W R0336W

LOWER ARM PLATE

R0355W R0355N R0353 YES NO

KNUCKLE BASE

STANDARD (15.5) R0314B (13.5)

CASTER _____ mm **SPACER** _____ mm

TOE ANGLE _____ deg.

SWING SHAFT 64 62 60 60 (90deg.)

CHASSIS STIFFENER NO SCREW CARBON (R0393)

SHOCK POS 1 2 3 4 5 6

SUS BUSH 1-2-3-4-5-6

SPACER _____ mm **GAMBER** _____ deg.

AXLE SPACER _____ mm **OFFSET SPACER** YES NO

DOWN STOP _____ mm

TOE ANGLE _____ deg.

HOLDER 20 22 **SUS BUSH** 2 1 1

SWING SHAFT 54 54R (90deg.) 56

MATERIAL STANDARD HARD

LOWER ARM PLATE 0 1.5 3.0

CENTERING PLATE

STD REV

WEIGHT / CARBON STIFFENER

WEIGHT MIDDLE RIGHT LEFT

ADDITIONAL WEIGHT _____ g **TOTAL CAR WEIGHT** _____ g

CARBON (2P) CARBON (5P) BRASS (R0280)

CARBON STIFFENER MIDDLE CARBON

UPPER SUS BUSH SOFT HARD

UPPER SUS HOLDER STANDARD HARD ALUMINUM

SIDE SCREW YES NO

UPRIGHT UPPER STANDARD -1 0 +1

HARD ALUMINUM **BACKWARD** **FORWARD**

CENTERING (R0328) / OFFSET BUSHING (R0327) YES NO

UPRIGHT LOWER STANDARD HARD **R0323** YES NO

SUS ARM UPPER STANDARD HARD

SUS ARM LOWER STANDARD HARD

LOWER ARM END SOFT HARD OLD NEW

LOWER SUS HOLDER STANDARD HARD ALUMINUM

LOWER SUS BUSH SOFT HARD IN OUT

ONE WAY STANDARD 8mm (R0333) **STOPPER** YES NO

SHOCK POS 1 2 3 4 5 6

SUS BUSH 1-2-3-4-5-6

SPACER _____ mm **GAMBER** _____ deg.

AXLE SPACER _____ mm **OFFSET SPACER** YES NO

DOWN STOP _____ mm

TOE ANGLE _____ deg.

HOLDER 20 22 **SUS BUSH** 2 1 1

SWING SHAFT 54 54R (90deg.) 56

MATERIAL STANDARD HARD

LOWER ARM PLATE 0 1.5 3.0

SERVO SAVER

STEERING PLATE 9mm 10mm 11mm (STD)

POSITION FORWARD MIDDLE BACKWARD

TIGHTENING _____ mm

SERVO SAVER TYPE PLASTIC ALUMINUM (R0259)

SERVO SAVER POSITION FORWARD MIDDLE

SPACER _____ mm

SPRING SOFT HARD

UPPER PLATE TYPE CUT

STD R0390 R0391 R0389 R0363

WEIGHT 15g (T096B) 10g (SMJ3517 x2) 7.5g (SMJ3518) 5g (SMJ3517) R0392